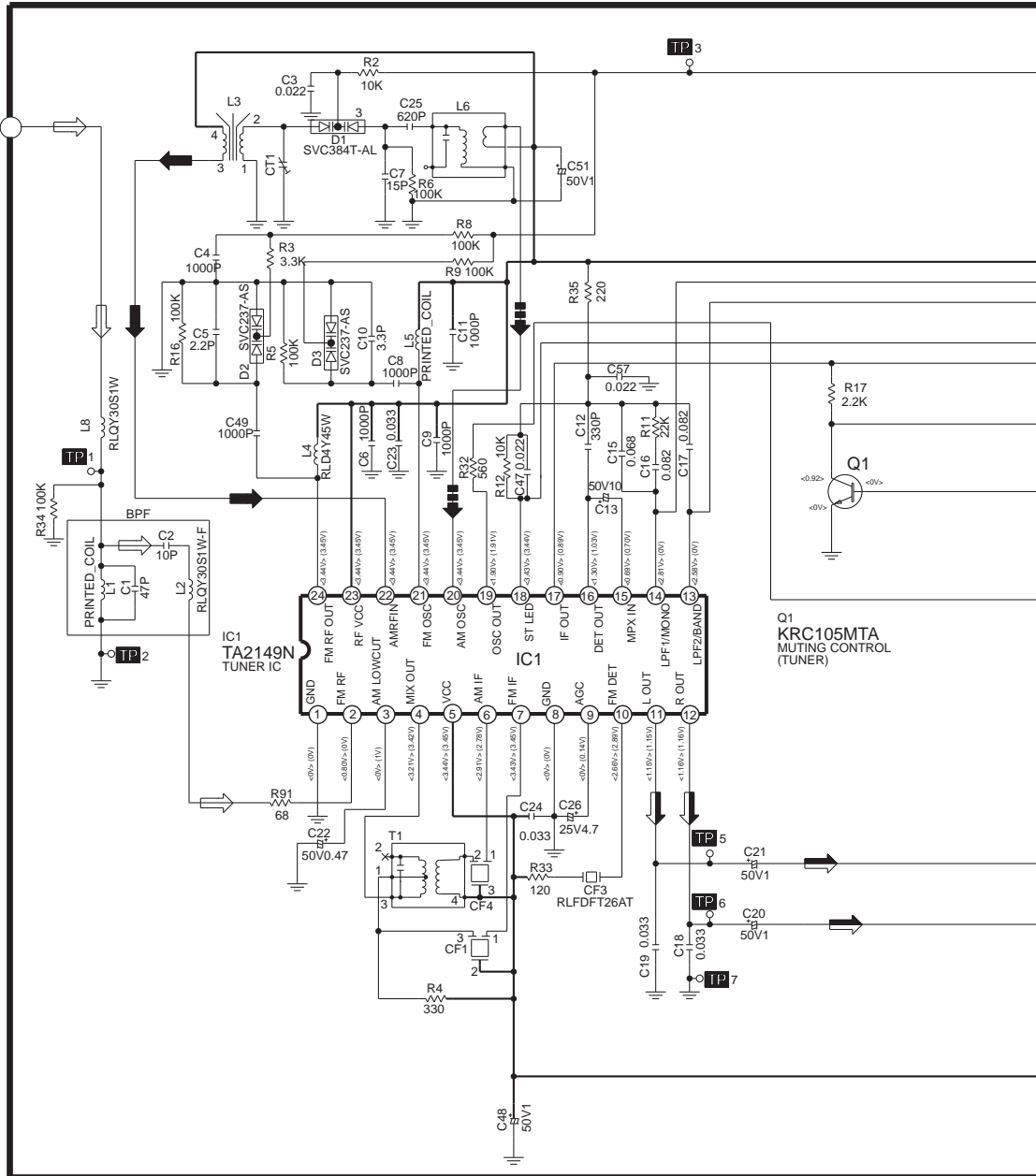


SCHEMATIC DIAGRAM-3

TUNER CIRCUIT

- ➡ : AM Signal line
- ⇨ : FM Signal line
- : +B Signal line
- ⇨⇨ : AM/FM Signal line
- ⇨⇨⇨ : AM OSC Signal line

TELESCOPIC ANTENNA

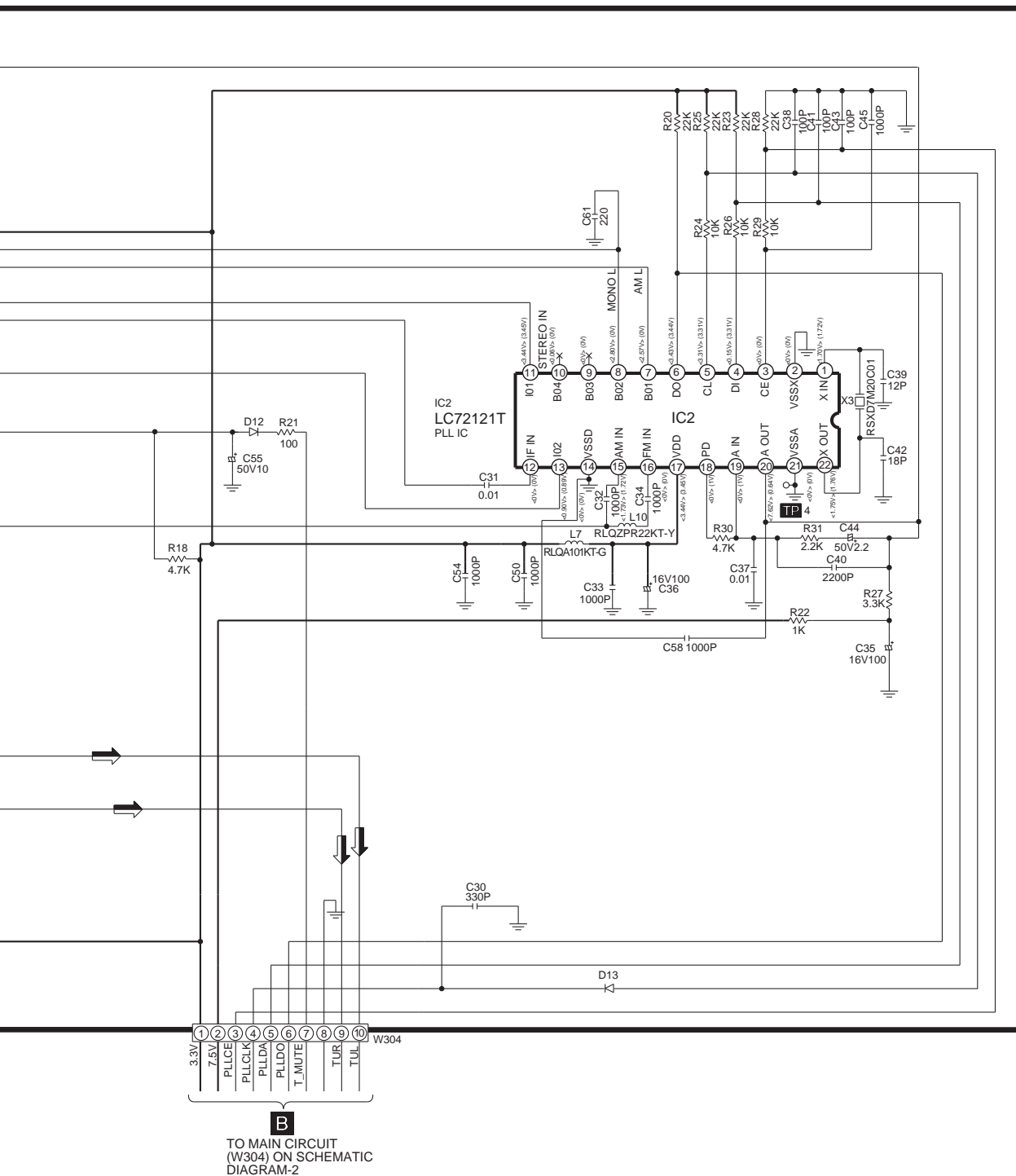


Q1
KRC105MTA
(MUTING CONTROL
TUNER)

SCHEMATIC DIAGRAM-4

⇒ : AM/FM Signal line

— : +B Signal line



B
TO MAIN CIRCUIT
(W304) ON SCHEMATIC
DIAGRAM-2